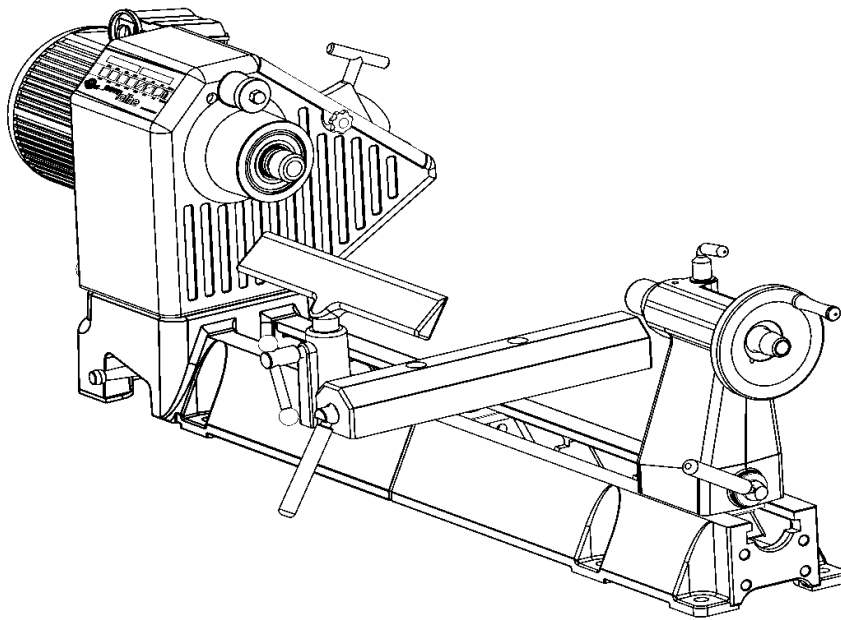


NOVA 1624 II TM WOODLATHE



Smart Tools Powerful Solutions
www.teknatool.com



IMPORTANT Please Note:

Your new NOVA 1624 II Woodlathe comes with additional safety feature, and is fitted with an emergency stop button on the motor.

This button is for "Emergencies" only. The machine will coast to a stop if this button is pushed in. Important: Once this Emergency stop button is pushed, you must release into the "OUT" position before you can use the lathe again. You must twist to release it into the OUT position before you can turn on the lathe.

- Use the regular STOP button if you want the lathe to come to a stop.
- To turn the machine on and off, use the on/off switch on the motor.

INSTRUCTION MANUAL PRE PRODUCTION

Welcome

Thank you for choosing our Nova 1624 II Woodlathe and welcome to the NOVA Product Family. Your choice shows that you want the best for your woodturning and recognise the superior and unique features that the Nova 162 II lathe offers.

We strive to achieve the best value for your money – providing quality where it counts, innovative features, a wide variety of accessories (some of them unique to Teknatool) plus comprehensive, ongoing support (latest manuals downloadable from our website, free newsletters, projects etc). We are only a phone call or email away with technical advice or assistance on the operation of your lathe or your woodturning enquiries.

Please feel free to contact us about any aspect of our products or service – we regard our customers as our best development and improvement team – we'd love to hear from you!

Once again, welcome to the "NOVA Family". We hope you enjoy our products and hope they enhance the pleasure you experience from the wonderful craft of Woodturning!

Best Regards

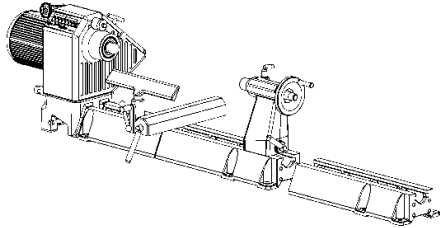
A handwritten signature in blue ink, appearing to be 'J. F.', located below the 'Best Regards' text.

Nova 1624 II Lathe Features at a glance

Note: Some options have a stand included! Motor & Specifications vary depending on the Country

Add on Bed System

A lathe that meets your woodturning needs, your workshop space, or your pocket! Each segment is about 20.3" in length. The feature appeals for many different reasons:

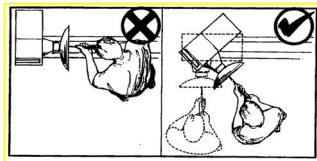


As a compact lathe (standard configuration) it is great for small turning workshop spaces.

As an extended lathe for those wanting to do extra long spindles (beyond the traditional between centre of most lathes) the Nova 1624/44 delivers big turning capacity. Illustrated left.

As a bowl lathe for those just wanting to turn bowls.

Sophisticated Swivel Head



Swivel head lathes have many advantages:

- Space saving
- Allows the turner (not the machine!) to decide the most comfortable position for your turning (saving you from backstrain)
- Elimination of lefthand 'outboard' turning techniques and no extra outboard chucks and faceplates are necessary.

There are a number of swivel head lathes available, but the Nova 1624 II has by far the most sophisticated, accurate and easy to use swivel head on the market.

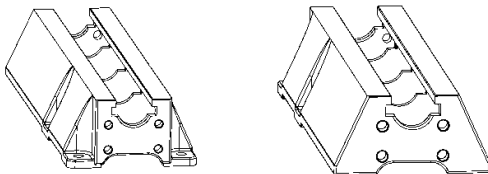
The Nova 1624 II lathe can be easily and quickly swiveled to any position (360 degrees). It can be solidly locked in any position plus it has the added security of a detent pin lock at 0, 22.5, 45, 90 and 315 degrees (for left hand use).

The swivel head turns, locks easily and has a very accurate detent position, to lock the spindle in line with the tailstock. Then for super accuracy the adjustable tailstock can be finely tuned for pin point alignment (this is factory set but can be adjusted in the field). This combination of detent pin and adjustable tailstock delivers superb accuracy and is unique to the Nova 1624 II.

Speed Range

The Nova 1624 II lathe has an eight speed range, one of the very best available. From very low speeds for large and out of balance work through to very high speeds for small and finishing work. Some markets also have the added advantage of a variable speed motor option (check with your reseller).

Solid Construction



Well proven design, the Nova 1624 II is made from Cast Iron components for strength and rigidity. Added features like the heavy duty twin bearing system, and special webbed bed design makes the lathe well equipped to take heavy turning stresses. The bed has been designed with vibration dampening qualities - a solid 1/2" cross rib is positioned along the bed unit, quickly absorbing any vibration as it travels down the bed.

Contact Teknatool

New Zealand

Teknatool International Ltd

Phone: (+64) 9 477 5600

Email: service@teknatool.com

Website: www.teknatool.com

United States

NOVA Customer Care & Innovation Center

Phone: 727-954-3433

Email: service@teknatool.com

Website: www.teknatool.com

Or contact the Reseller where you purchased the NOVA 1624-44 Wood Lathe, see our website for their contact details in your country

www.teknatool.com

Table of Contents

General Safety Rules	6
Additional Safety Rules for Woodlathes	7
Nova 1624 II Specifications.....	8
Setting Up Your Workshop.....	9
Workshop Requirements.....	9
Lathe Stand Recommendations.....	9
Motor Recommendations	10
Assembling the Nova 1624 II	11
Adding an Extension Bed.....	14
Mounting the Lathe to a Support Surface	16
Connecting to Power	16
Using the Nova 1624 II.....	17
Parts of the Nova 1624 II Woodlathe	17
Recommended Turning Speeds	17
Changing Speeds.....	18
Swiveling the Headstock	19
Spindle Index.....	19
Headstock.....	20
Toolrest.....	21
Tailstock.....	22
Learning Turning	22
Maintaining the Nova 1624 II	23
General Maintenance	23
Cleaning the Toolslide.....	23
Cleaning the Tailstock.....	24
Aligning the Tailstock	24
Troubleshooting Guide.....	25
Nova 1624 II Woodlathe Parts List	27
Accessories	29
Index	31
Warranty	32

© Copyright 1999-2016 by Teknatool International; All Rights Reserved. Nova 1624 II is a registered trademark of Teknatool International.

The information and specifications contained herein are subject to change. Teknatool is not responsible for errors or omissions herein or for incidental damages in connection with the furnishing or use of this information.

GENERAL SAFETY RULES

1. **FOR YOUR OWN SAFETY, READ THE MANUAL BEFORE OPERATING THE TOOL.** Learn the machine's application and limitations plus the specific hazards peculiar to it.
2. **ALWAYS USE A FULL FACE SHIELD** (must comply with ANSI STANDARD Z87.1 -USA) Everyday eye-glasses usually are only impact resistant and safety glasses only protect eyes. A full face shield will protect the eyes and face. Also use face or dust mask if cutting operation is dusty.
3. **WEAR PROPER APPAREL.** Do not wear loose clothing, gloves, neckties, rings, bracelets or other jewelry which may get caught in moving parts. Non slip footwear is recommended. Wear protective hair covering to contain long hair.
4. **USE EAR PROTECTORS.** Use ear muffs for extended period of operation. Use muffs rated to 103 DBA LEQ (8 hour).
5. **DON'T USE IN A DANGEROUS ENVIRONMENT.** Don't use power tools in damp or wet locations, or expose them to rain. Keep work area well lighted. The Nova 1624/44 Lathe is intended for indoor use only. Failure to do so may void the warranty.
6. **KEEP WORK AREA CLEAN.** Cluttered areas and benches invite accidents. Build up of sawdust is a fire hazard.
7. **KEEP CHILDREN AND VISITORS AWAY.** All children and visitors should be kept a safe distance from work area.
8. **MAKE WORKSHOP CHILDPROOF** with locks, master switches, or by removing starter keys.
9. **GROUND ALL TOOLS.** If the tool is equipped with a three prong plug, it should be plugged into a three-hole electrical receptacle. If an adapter is used to accommodate a two prong receptacle, the adapter lug must be attached to a known ground. Never remove the third prong.
10. **MAKE SURE TOOL IS DISCONNECTED FROM POWER SUPPLY** while the motor is being mounted, connected, or reconnected.
11. **DISCONNECT TOOLS** before servicing and when changing accessories such as blades, bits cutters, etc.
12. **AVOID ACCIDENTAL STARTING.** Make sure switch is in the Off position before plugging in power cord.
13. **NEVER LEAVE MACHINE RUNNING UNATTENDED.** Do not leave tool unless it is turned off and has come to a complete stop.
14. **KEEP GUARDS IN PLACE** and in working order.
15. **USE RIGHT TOOL.** Do not use a tool or attachment to do a job for which it was not designed.
16. **USE RECOMMENDED ACCESSORIES.** The use of improper accessories may cause hazards.
17. **DON'T FORCE TOOL.** It will do the job better and be safer at the rate for which it was designed.
18. **MAINTAIN TOOLS IN TOP CONDITION.** Keep tools sharp and clean for best and safest performance. Follow instructions for lubricating and changing accessories.
19. **NEVER STAND ON TOOL.** Serious injury could occur if the tool is tipped or if the cutting tool is accidentally contacted.
20. **REMOVE ADJUSTING KEYS AND WRENCHES.** Form a habit of checking to see that keys and adjusting wrenches are removed from tool before turning it on.
21. **DON'T OVERREACH.** Keep proper footing and balance at all times.
22. **DIRECTION OF FEED.** Feed work into a blade or cutter against the direction of rotation of the blade or cutter only.
23. **ATTENTION TO WORK.** Concentrate on your work. If you become tired or frustrated, leave it for awhile and rest.
24. **SECURE WORK.** Use clamps or a vice to hold work when practical. It's safer than using your hand and frees both hands to operate tool.
25. **CHECK DAMAGED PARTS.** Before further use of the tool, any part that is damaged should be carefully checked to ensure that it will operate properly and perform its intended function. Check for alignment of moving parts, binding of moving parts, mounting, and any other conditions that may affect its operation. Any damaged part should be properly repaired or replaced.
26. **DRUGS, ALCOHOL, MEDICATION.** Do not operate tool while under the influence of drugs, alcohol, or any medication.
27. **DUST WARNING.** The dust generated by certain woods and wood products can be injurious to your health. Always operate machinery in well ventilated areas and provide for proper dust removal. Use wood dust collection systems *whenever possible*.

ADDITIONAL SAFETY RULES FOR WOODLATHES



Warning! Failure to follow these rules may result in serious personal injury.

1. **DO NOT MODIFY OR USE LATHE FOR USES OTHER THAN FOR WHICH IT WAS DESIGNED.**
2. **SEEK INSTRUCTION.** If you are not thoroughly familiar with the operation of woodlathes, obtain advice from your supervisor, instructor, or other qualified person. Instruction from a qualified person is strongly recommended.
3. **DO NOT OPERATE LATHE** until it is completely assembled and installed.
4. **FOLLOW ELECTRICAL CODES.** Make sure wiring codes and recommended electrical connections are followed and that the machine is properly grounded.
5. **KEEP WORK AREA CLEAN.** Do not turn the lathe On before clearing the lathe of all objects (tools, scraps of wood, etc.). Keep the nearby area and floor clear of debris.
6. **CHECK SET-UP** with power Off. Examine the set-up carefully and rotate the work piece by hand to check clearance before turning on power.
7. **DO NOT MAKE ADJUSTMENTS** when the lathe or work piece is turning. Make all adjustments with power Off.
8. **TIGHTEN ALL CLAMP HANDLES** on the headstock, tailstock, and toolrest before operating lathe.
9. **EXAMINE WORK PIECE** and glue joints before turning to make sure it has no defects that would cause it to break when turning.
10. **USE LOWEST SPEED** when turning a new or unbalanced work piece.
11. **TURN AT RECOMMENDED SPEED.** Always operate the lathe at the recommended speeds. Consult this manual for suggested speeds.
12. **ADJUST TOOLREST** close to the work piece. Before turning, revolve the stock by hand to make sure it clears the rest. At intervals, stop the lathe and readjust the toolrest.
13. **KEEP TOOL ON TOOLREST.** The lathe tool or chisel should be on the toolrest before the lathe is turned On. Tools should remain on the toolrest whenever the tool is engaged in contact with the work piece.
14. **REMOVE TOOLREST** when sanding or polishing so fingers do not get pinched.
15. **USE CORRECT LATHE TOOLS.** Do not use spindle turning chisels for faceplate mounted work, and vice versa. Spindle turning tools used for faceplate turning may grab the work piece and pull the chisel from your control.
16. **WHEN ROUGHING STOCK** do not jam the lathe tool or chisel into work piece or take too big a cut.
17. **DO NOT POUND WORK PIECE** into headstock drive (spur) center when turning between centers. Pound the drive center into the work piece with a soft mallet before installing it between centers in the lathe.
18. **DO NOT USE TAILSTOCK** to drive work piece into the drive (spur) center when turning between centers. Secure work between centers with light pressure from the tailstock quill action.
19. **FASTEN STOCK SECURELY BETWEEN CENTERS.** Make sure the tailstock is locked before turning on the power.
20. **NEVER LOOSEN TAILSTOCK** spindle or tailstock while work piece is turning.
21. **COORECTLY USE FACEPLATE.** When faceplate turning, make sure work piece is securely fastened to the faceplate and that appropriate size faceplate is used to support the work piece. Any screw fasteners must not interfere with the turning tool at the finished dimension of the work piece. Rough-cut the work piece as close as possible to finished shape before installing on faceplate.
22. **DO NOT OPERATE LATHE IF DAMAGED OR FAULTY.** If any part of your lathe is missing, damaged or broken, in any way, or any electrical component fails, shut off the lathe and disconnect the lathe from the power supply. Replace missing, damaged, or failed parts before resuming operation.
23. **ADDITIONAL SAFETY INFORMATION** regarding the safe and proper operation of this product is available from the National Safety Council, 444 N. Michigan Avenue, Chicago, IL 60611 in the Accident Prevention Manual of Industrial Operations and also in the Safety Data Sheets provided by the NSC. Also refer to the American National Standards Institute ANSI O1.1 Safety Requirements for Woodworking Machines and the U.S Department of Labor OSHA 1910.213 Regulation.

Guidelines to symbols used in this manual:



Warning Symbol. Pay close attention!



Note/Information Symbol. Please read - important information for you.

Nova 1624 II Woodlathe Specifications

Size: see drawing below.

Weight: 72 kg (158.7 lb) (without motor)

Swing Over Bed: 400 mm (16 in.)

Distance Between Centers: 600 mm (24 in.); expandable in 516 mm (20.3 in.) units with add-on Bed sections.

Swing Outboard: 740 mm (29 in.) with headstock at 90° with outrigger toolrest.

Headstock:

Spindle Thread:

1-1/4 x 8 TPI RH ⁽¹⁾ or

M33 x 3.5 RH ⁽²⁾

Headstock Bore: No. 2 Morse Taper (#2 MT)

Headstock Swivel: 0 to 360 degrees, with detents at 0, 22.5, 45, and 90 degrees.

Outboard End Internal Thread: M20 x 1.5 LH

Spindle Index: 24 divisions (every 15 degrees)

Tailstock:

Tailstock Bore: No. 2 Morse Taper (#2 MT)

Quill Travel: 85 mm (3-1/4 in.)

Hole Through Tailstock: 15 mm (9/16 in.)

Toolrest:

Length: 300 mm (12 in.)

Shaft Diameter: 25.4 mm (1 in.)

Motor Options (Recommended):

AC Motor, 1.5 HP, 1425 rpm, 50 Hz ⁽¹⁾

AC Motor, 1.5 HP, 115v 1720 rpm 60Hz ⁽²⁾

DC Motor, 1.5 HP, 0-1750 rpm, 50-60 Hz 3

Speeds (rpm): 8-step motor pulley

178, 300, 570, 850, 1200, 1800, 2400, 3000 ⁽¹⁾

214, 360, 690, 1030, 1450, 2180, 2900, 3630 ⁽²⁾

Standard Equipment:

300 mm (12 in.) Toolrest, Poly Vee Drive Belt, Motor Pulley, Motor Mounting Kit, 150 mm (6 in.) Faceplate (Not all countries, see notes below), Spur Center, and Live Center

Optional Accessories:

Nova Chuck Systems

SuperNova2 Chuck System

Faceplates: 80 mm (3 in.), 150 mm (6 in.)

Vacuum Faceplate

Toolrest: 100 mm (4 in.)

Bowl Toolrest

Outrigger Toolrest Unit

Handwheel

Vacuum Coupler

Revolving Center System

Notes:

(1) United States, New Zealand, Australia, Canada and UK.

(2) Europe (except UK)

ⓘ Note: Standard equipment varies from country to country. In other markets, the motor and the faceplate are optional equipment. Check with your reseller if you are unsure.

CE For Europe, Australasia, UK and South Africa

Directives this equipment complies with:

Low voltage directive (LVD) 73/23/EEC + 93/68/EEC+2006/95/EC

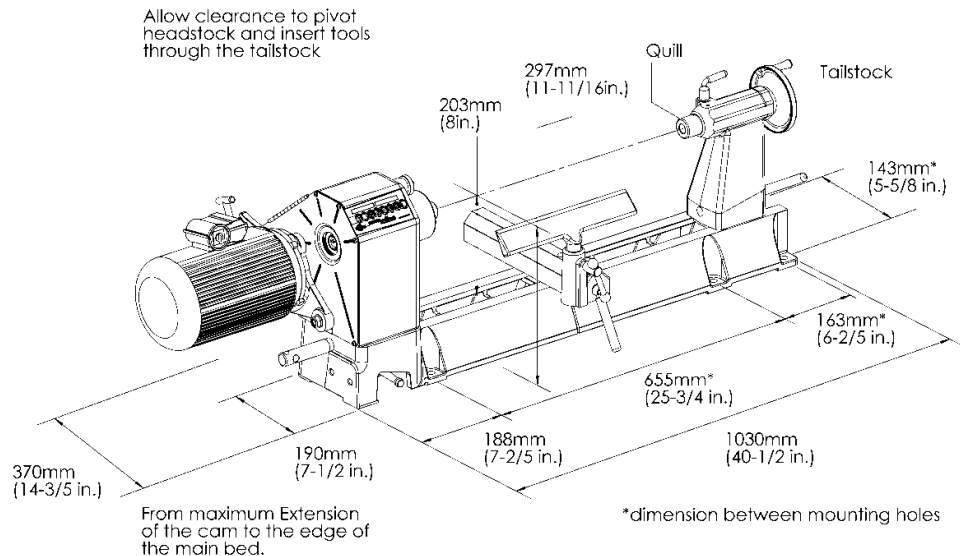
Machinery directive (MD) 89/392/EEC + 91/368 EEC +

93/68/EEC+2006/42/EC

Harmonized Standards applied in order to verify compliance with Directives: EN 61029-1:2009 (Low Voltage Directive and Machinery Directive).

Signed.....*Nathan Stantiall*.....Dated 10/12/2010

Nathan Stantiall
Development Manager



Setting Up Your Workshop

Workshop Requirements

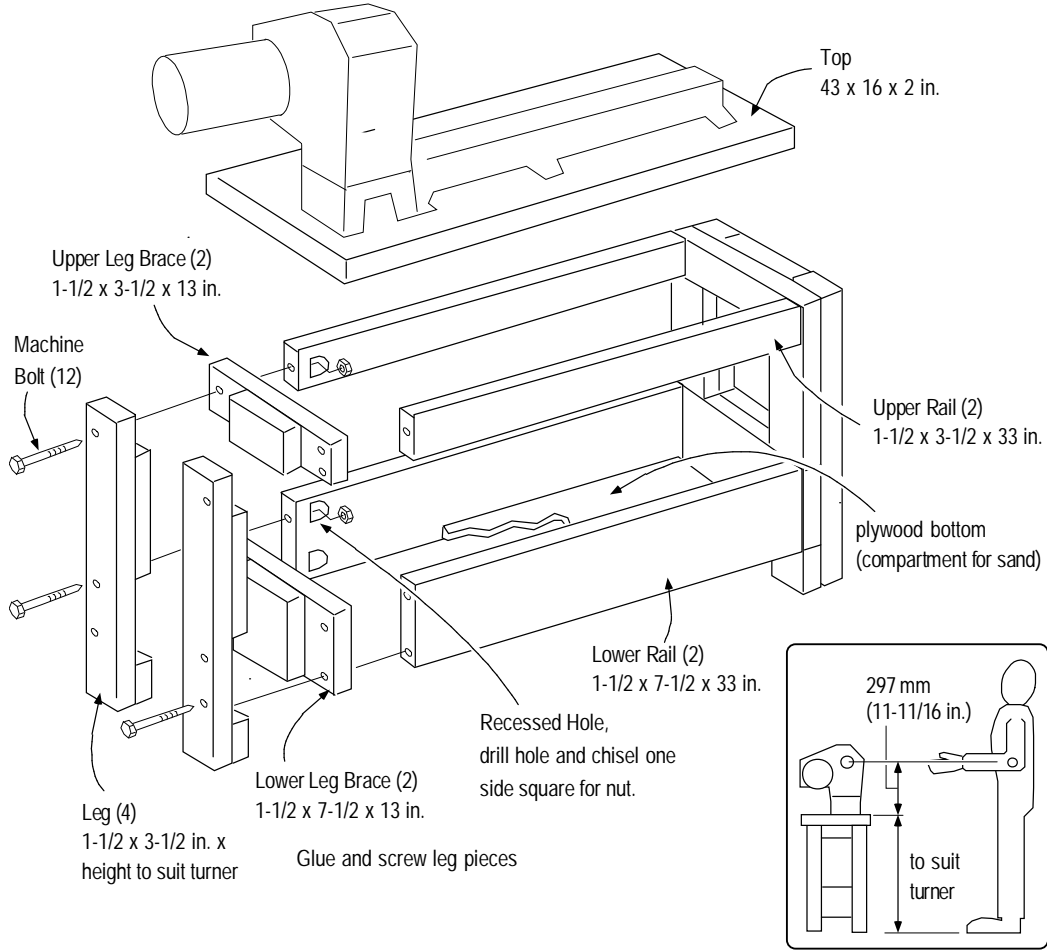
<i>Consideration</i>	<i>Recommendation</i>
Lathe Location	Locate the Nova 1624 II close to a power source in an area with good lighting. Leave clearance to all sides of the lathe; allow for motor clearance when the headstock is swiveled. Other machines in your shop should not interfere with the operation of the lathe.
Lighting	Your shop should have adequate lighting. The work area of the lathe should be well lit; there should not be shadows cast on your work. If possible, locate near a window. A movable spotlight may be helpful.
Electrical	The Nova 1624 II requires the appropriate outlet nearby to power the motor. Wiring and outlets should adhere to local electrical codes. If in doubt, seek advice from an electrician. Minimize use of extension cords.
Ventilation	Your shop should be adequately ventilated. The degree of ventilation will vary based on the size of the shop and the amount of work done. The use of dust collectors and filters will minimize risks to your health.

Lathe Stand Recommendations

A sturdy and rigid stand is required so that the Nova 1624 II Woodlathe can deliver optimum performance. A common flaw with many woodlathe installations is an inadequate stand for the lathe. The larger the size of your turnings, the greater the importance of the lathe stand design.

<i>Consideration</i>	<i>Recommendation</i>
Lathe Height from floor	The height of the stand should locate the centerline of the lathe spindle at the elbow height of the turner.
Stand Top	The stand top should be flat so the lathe does not twist when it is bolted down. Check for any gaps between lathe feet and stand top before bolting down. Shim and prepare stand as necessary.
Stand Weight	The stand should have enough weight and mass so it doesn't move when turning large work pieces, and so that the stand can absorb vibrations. A lathe stand's stability can be improved by weighing it down with sand bags on a lower shelf.
Stand Legs	The stand should sit level on the floor and not rock.

Example of Shop-made Lathe Stand



AC Motor Recommendations

Country	Motor Recommendations
United States, Canada	1 Hp or 1.5 Hp totally enclosed fan cooled (TEFC), continuous duty, 1725 rpm, single phase, 60 Hz, with a keyed shaft (we prefer to use 7/8 " shaft diameter), NEMA 56 frame C face flange mount.
New Zealand, Australia, UK, Europe, South Africa	1 Hp or 1.5 Hp, totally enclosed fan cooled (TEFC), continuous duty, 1425 rpm, single phase, 50 Hz, with a keyed 22 mm shaft, D80 Metric flange frame B14 face mount.

Assembling the Nova 1624 II

1. Unpack the lathe and components from the shipping container.

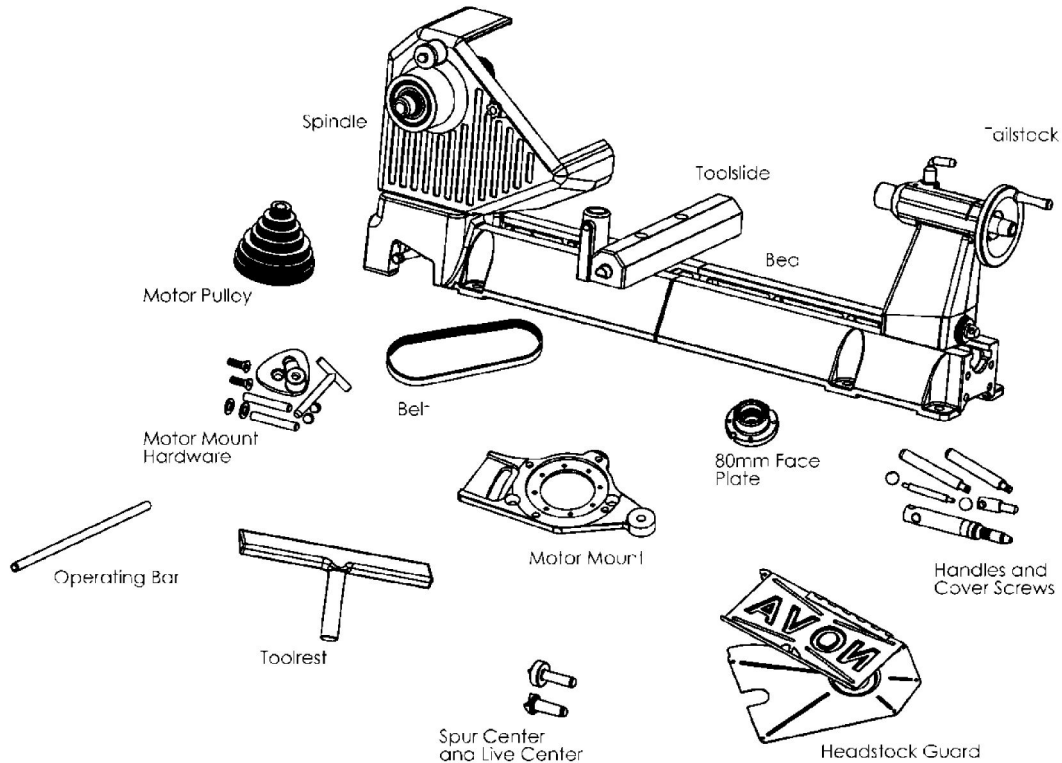


Warning!

Have other people help when moving or lifting the Nova 1624/44 Woodlathe; it weighs about 72 kg (158.7 lb) without a motor.

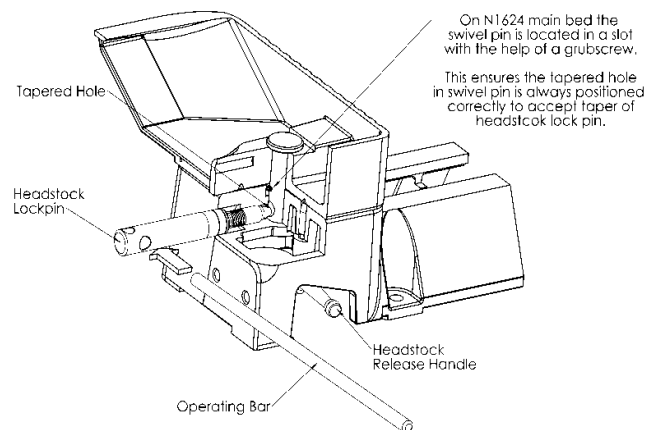
2. Clean any parts coated with rust preventative with a cloth moistened with a petroleum-based solvent or cleanser. Coat the lathe bed with paste wax.

Nova 1624 II Components after Unpacking



3. Screw the Headstock Lockpin into the threaded hole at the bottom of the headstock. Insert the operating bar into the hole in the Lockpin and firmly tighten the Lockpin to lock the headstock in position; then remove the operating bar. **NOTE:** When the pin is fully engaged the groove machined into the pin furthest from the thread should line up with the edge of the hole in the casting. By doing this the pin will be engaged in the hole of the swivel pin.
4. Loosen the Lockpin 1 – 2 turns. Push the Headstock Release Handle down and rotate the Headstock so the spindle points to the tailstock and lines up parallel to the lathe bed. Tighten lock pin again.

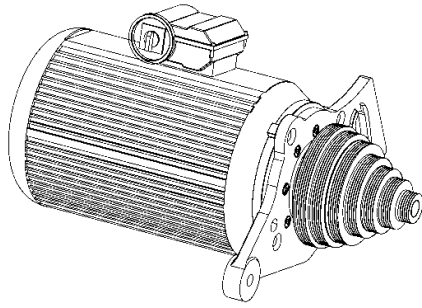
Installing the Headstock Lockpin



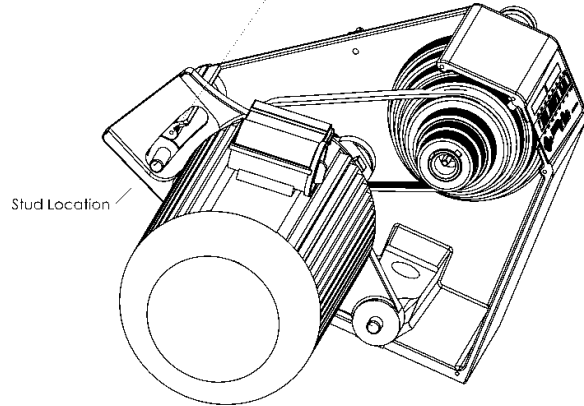
ⓘ Note: Do not use excessive force when tightening the Lockpin.

5. Remove the headstock guard from the lathe.

6. Place the motor mount plate with attached motor over both the Headstock studs

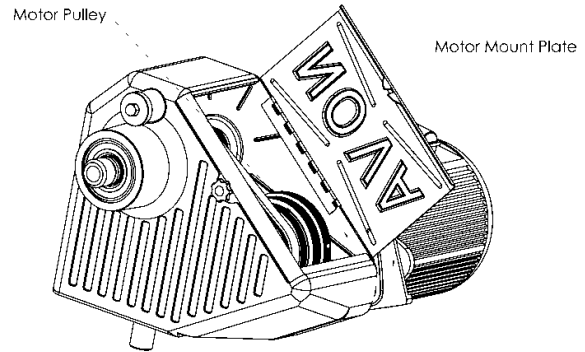


IMPORTANT!!!
This guard hole can only be fastened while the the motor mount cam is dismounted.



Tip: To ease holding the motor while fastening the guard hole (Motor cam end). You may engage the belt at 570 rpm. By engaging the belt at 570 rpm the weight of the motor is supported by the headstock pulley.

7. Place the headstock guard on the headstock; part of it slips between the motor mount plate and the motor pulley. Attach the guard to the headstock with six M4x10 screws. Tighten the screws after the guard has been correctly positioned.

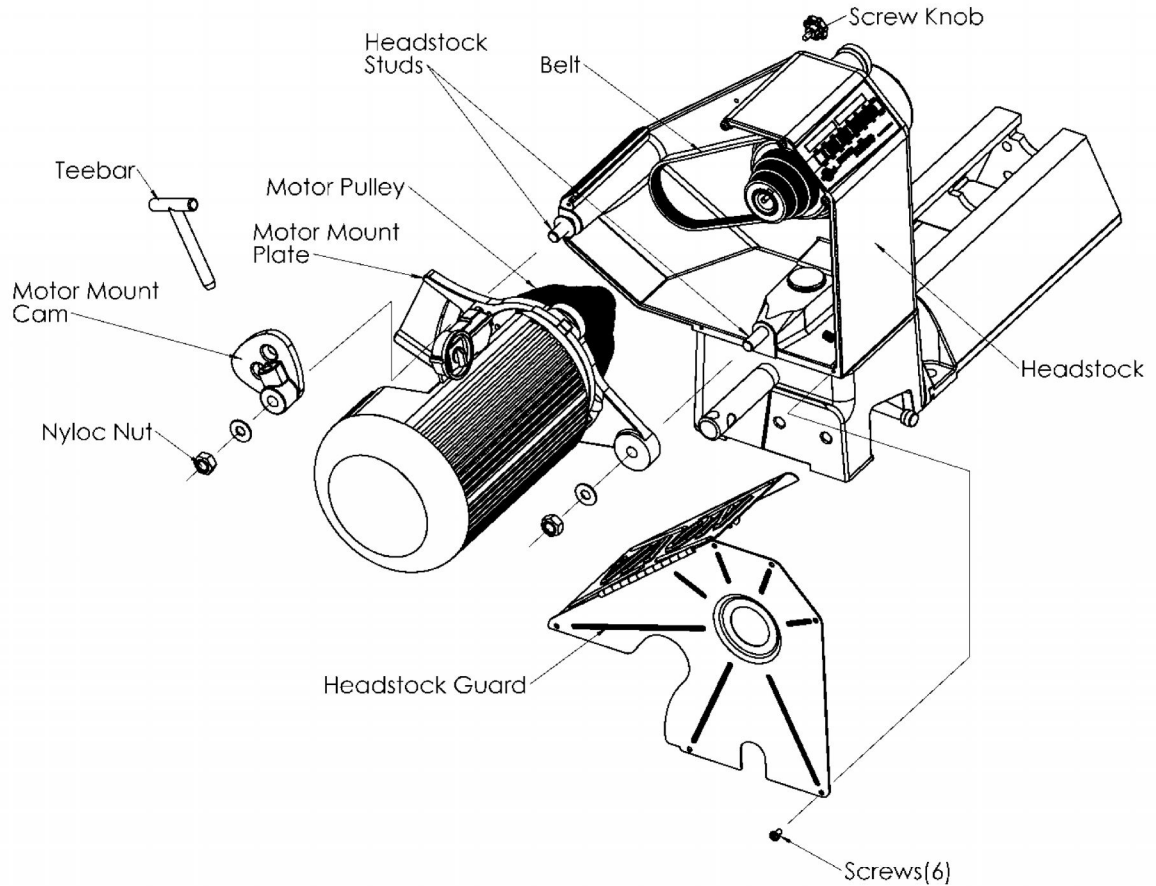


Headstock Guard slips between the motor mount plate and the motor pulley.

8. Install a M12 washer and M12 Nyloc nut on the lower (pivoting) headstock stud. Tighten the nut until the motor mount plate is secure, but movable.

9. Place the motor mount cam over the upper (cam) headstock stud. Install a M12 washer and M12 Nyloc nut. Tighten the nut until smooth sliding action is achieved. Screw the Teebar into the cam.

Installing the Motor and Guard



10. Fit the belt over both pulleys. Adjust the position of the motor pulley on the motor shaft so the belt is aligned square between the pulleys. Tighten the M8 set screw on the motor pulley.
 - ⓘ *Note: The drive belts correct positioning is with the belt overhanging the outside of the pulley by one rib. It is only on the bottom (smallest step) that all six ribs are used.*
11. Push the Teebar away from the lathe to increase the belt tension. Tighten the Teebar to lock the motor in place. Close the guard lid and secure the lid with the screw knob.

12. Assemble the handles:

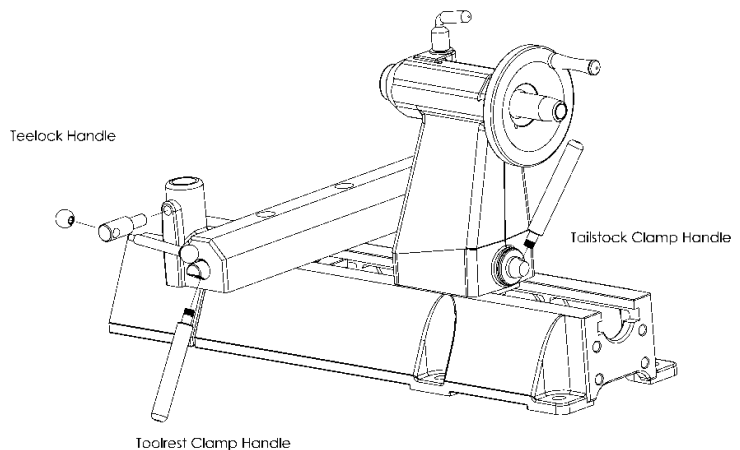
ⓘ *Note: Some handles may come pre-assembled.*

Toolrest Clamp Handle - insert the rod through the handle and screw the ball knobs onto each end of the rod.

Toolside Clamp Handle - screw the rod into the toolslide.

Tailstock Clamp Handle - screw the rod into the tailstock.

Installing Handles



Thank you for purchasing the Add on Trapezoidal Bed Extension, this unit will greatly allow you to increase your turning capacity.

For safety reasons, please carefully read and understand these instructions. The Nova 1624 Add on Trapezoidal Bed Extension is designed to fit and be used only with the Nova 1624 Woodlathes. The use of this bed extension with other lathes could cause a malfunction and risk of serious injury. If you are unsure of the use or the application of this accessory, contact the technical support department of Teknatool International or your reseller. Further information can also be found in your lathe manual.

PARTS LIST:

CODE	COMPONENT DESCRIPTION	QUANTITY
55195	Machined Trapezoidal Cast Iron Bed Segment	1
FKUBU300	Fastening Kit <i>(Parts are listed below)</i>	1
	Code	Description
	55201	M12 x 35 Cap Screws
	55202	M12 Spring Washers
	AK10	Allen Key 10mm

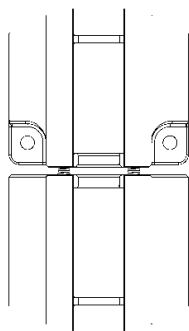
FITTING PROCEDURES:

1. Ensure that the bed pieces are flat and the two faces of the bed (which are to be mated) are clean, free of any burrs and dents.

Note: >>> The end of the extension bed with no feet should be mated to the lathes end face.

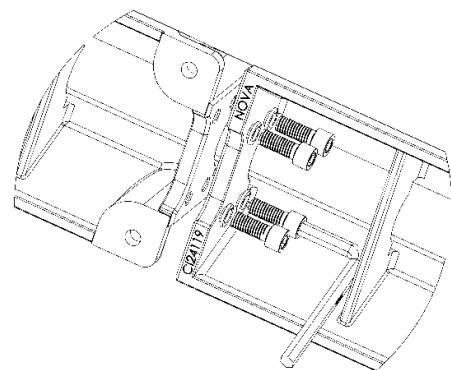
>>> Also, wipe off any yellow rust protective, dirt etc (if applicable).

2. Place the add on bed extension close to the lathes face, align the holes and screw on the four M12 screws (with one spring washer each)

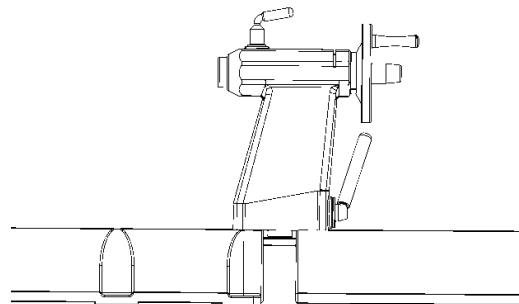


into the four tapped holes with the help of the 10mm Allen key provided.

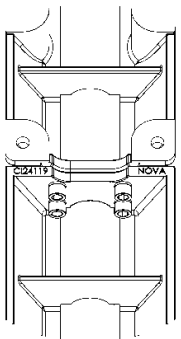
Do NOT fully tighten the cap screws at this stage, but tighten enough so that the add on bed extension is secured to the end of the lathe.



end cap

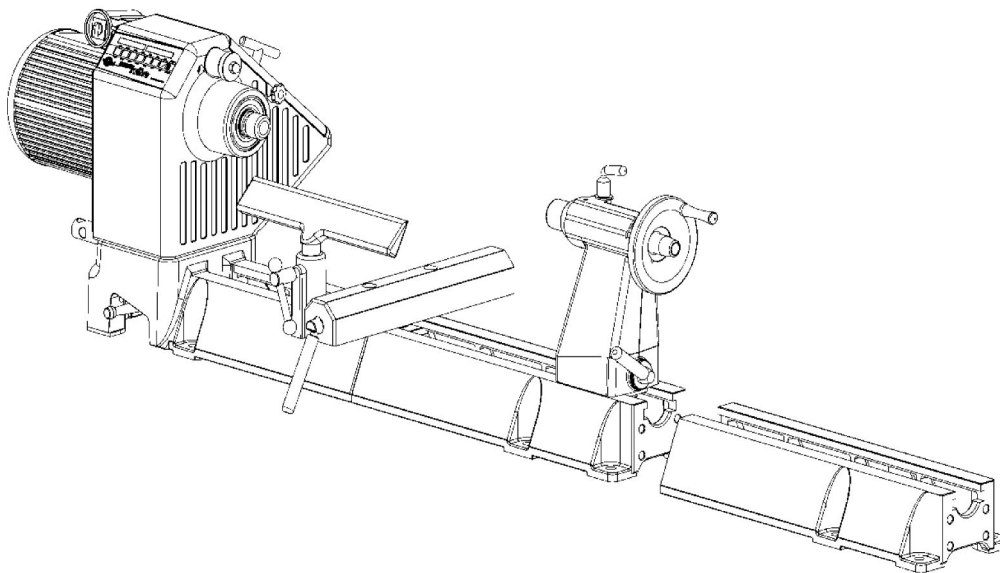


3. Move the tailstock over the two joining extension beds (tailstock approximately covering equal length on either extension). Lock the tailstock firmly over the joining faces.
4. Now, use the 10mm Allen key to fully tighten all four cap screws. The torque required is approximately 30 N-m (22 lb-ft).
5. Check that the tailstock runs smoothly over the mating joint, and also over the full length of the extension. Although all components manufactured by Teknatool International are made to closest possible tolerances, it is possible for a difference of approximately 0.1mm to put the bed 'out of true'. The tailstock can bind in any given area in two possible ways:

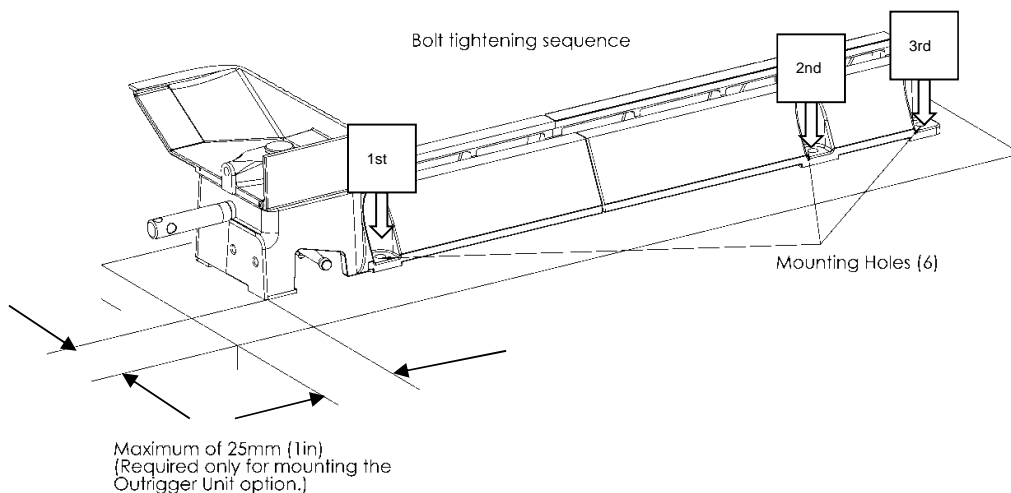
	<p><u>A) Jamming between slides (inside the wall of the bed)</u></p> <p>Using a smooth flat file, run over the area a few times until the tailstock frees itself. To maintain central running of the tailstock, both sides must be filed evenly.</p> <p><u>B) The Tailstock clips or appears to jump over the join</u></p> <p>The machined flat surfaces may not be quite flush. Use a flat file and run over the join until the 'railroad clacking' sound disappears.</p>
---	--

ⓘ Some Notes on the Bench Top:

Make sure that the bench top where you place your lathe to bolt down is flat, and is not warped or buckled. The bed bolt points need to have flush contact with the bench.



Mounting the Lathe to a Support Surface



! The lathe *must* be fastened to a support surface, such as a lathe stand or bench.

1. Place the lathe on the stand top. Locate the front and left corner of the lathe approximately 25 mm (1 in.) from the corner edge of the stand top. This provides a comfortable reach when turning and allows the optional outrigger unit to be easily installed.
2. If necessary, mark the six hole locations on the top and drill M12 (1/2-inch) holes.
3. Place a spirit level along the top of the lathe bed. Any movement of the bubble as the lathe is secured, indicates a twist on the bed. For the lathe to operate correctly the bed must not twist; if necessary, use shims between the bed and stand top.
4. Use bolts of suitable length (not included) to secure the lathe. Tighten the two headstock bolts first, then the two tailstock bolts, and finally tighten the two middle bolts.
5. The two 12mm threaded holes underneath the outrigger end of headstock can be optionally used (making a total of 8 bolt positions) ensure that the bolt is a metric M12 x 1.75 mm pitch and that the length is correct to ensure that the bolt doesn't bottom in the threaded hole and potentially damage casting.

Connecting to Power

Follow any instructions that came with the electric motor and switch. The motor should be wired so it rotates in a counter-clockwise direction (when facing the output shaft of the motor). A properly rated on/off switch should be used. DC motor electronic controls may require adjustment for correct operation.

The power cord should be 3-wire, having a grounding conductor and a grounding plug. The plug must be plugged into a matching outlet that is properly installed and grounded in accordance with local electrical codes.



Warning!

Improper connection of the motor can result in a risk of electrical shock.

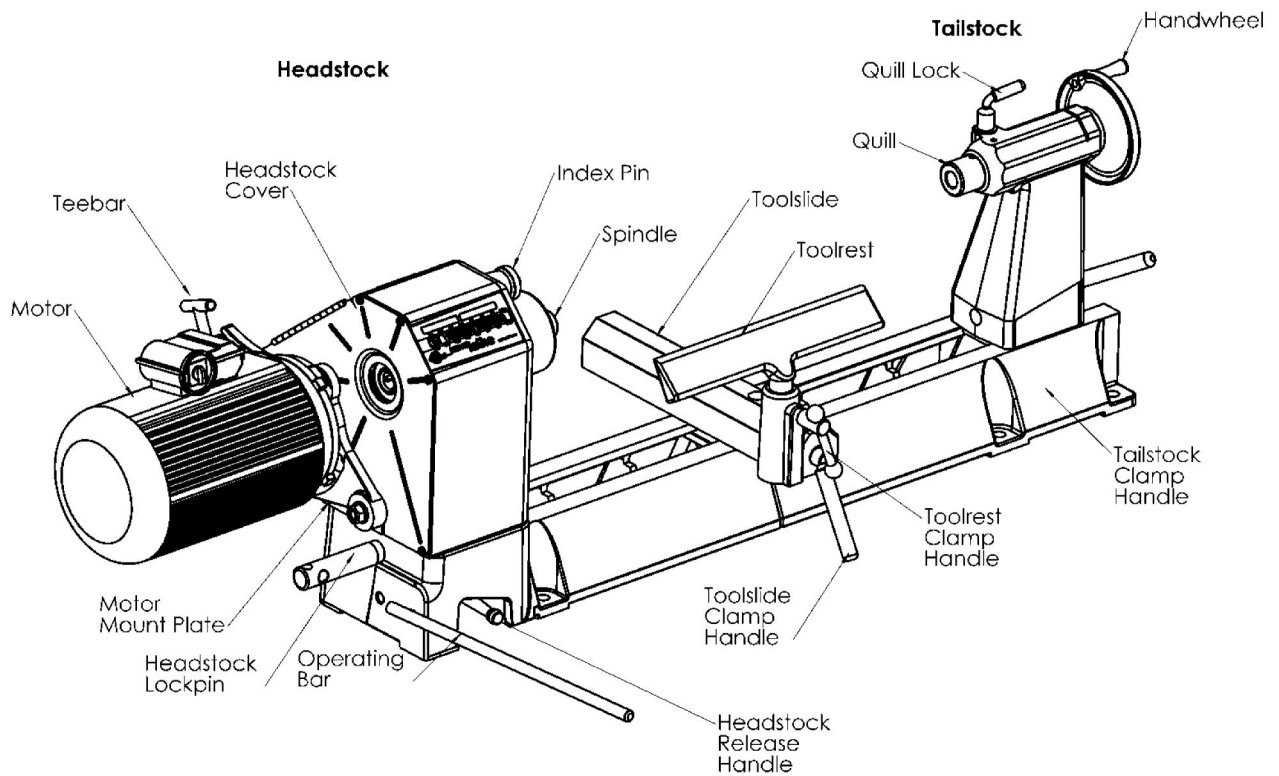
If it is necessary to use an extension cord, the cord should be grounded. Use the proper wire size for the extension cord, for a given cord length, to avoid power loss and over-heating.

Recommended Extension Cord Size for 1 HP and 1.5 HP Motors

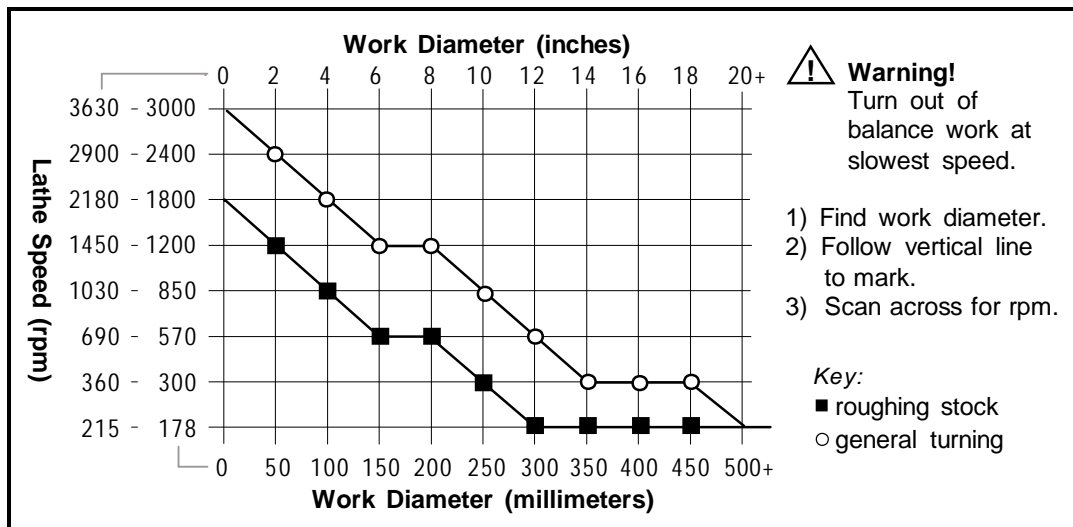
<i>Cord Length</i>	<i>Wire Size (American Wire Gauge)</i>
0-25 ft (0-7.5 m)	16 AWG
26-50 ft (8-15 m)	14 AWG (preferred)
51-100 ft (16-30 m)	12 AWG

Using the Nova 1624 II

Parts of the Nova 1624/44 Woodlathe



Recommended Turning Speeds



ⓘ Note: Turning Speeds and DC Motors

Use the electronic variable speed control in combination with the step pulley. Variable speed DC motors may have poor torque (power) at low speeds. Use the lower speed pulley steps for better torque. The available speeds will be from zero up to the maximum speed of the pulley step.

In general, select a belt setting in the lower 4 steps to provide good torque when turning. Use the upper steps only when higher speed spindle turning is required.

Changing Speeds

Change speeds by moving the belt position on the two 8-step pulleys. The speeds vary due to the rpm's of the motor. Speed position can be checked by viewing the belt through the window at the front of the headstock.

Lathe Speed Selection

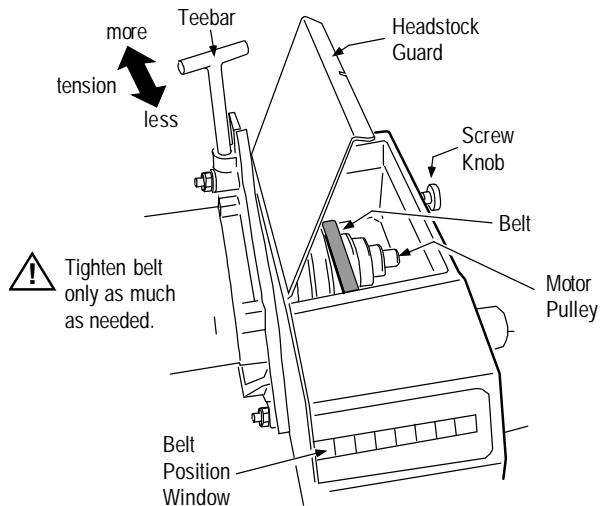
Country	Motor rpm	Lathe Speeds (rpm)
United States, Canada	1725	215, 360, 690, 1030, 1450, 2180, 2900, 3630
Australia, New Zealand, UK, Europe, South Africa	1425	178, 300, 570, 850, 1200, 1800, 2400, 3000



Warning!

Don't apply excess tension to the belt. You should be able to push the belt down at the center point between the pulleys from 8-12 mm (5/16 – 1/2 inch) with your thumb. Excess belt tension can cause increased vibration, bearing wear, belt wear, and damage to the motor shaft.

1. Stop the lathe.
2. Loosen the screw knob and open the headstock guard.
3. Loosen the Teebar and pull the lever toward the front of the lathe to loosen the belt. Tighten the teebar to hold the motor while the belt position is changed.
4. Position the belt on the selected set of pulleys.
5. Push the Teebar away from the lathe to tension the belt and tighten the teebar.
6. Close the headstock guard and tighten the screw knob.



IMPORTANT PLEASE NOTE:

Your new NOVA 1624 Woodlathe now comes with additional safety feature, and is fitted with an emergency stop button on the motor.

This button is for "Emergencies" only. The machine will coast to a stop if this button is pushed in. Important: Once this Emergency stop button is pushed, you must release into the "OUT" position before you can use the lathe again. You must twist to release it into the OUT position before you can turn on the lathe.

- Use the regular STOP button if you want the lathe to come to a stop.
- To turn the machine on and off, use the on/off switch on the motor.

Swiveling the Headstock

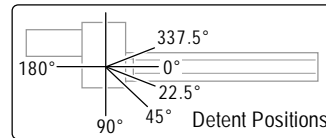
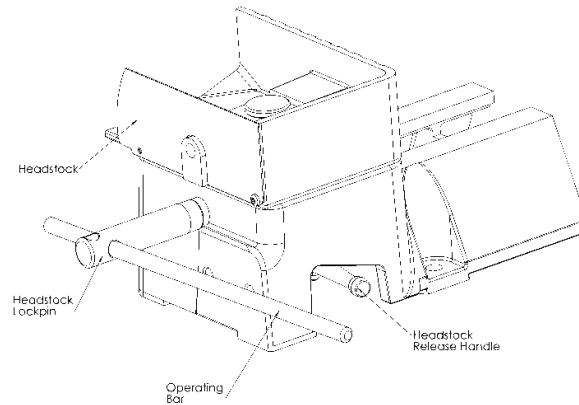
1. Stop the lathe. Insert the operating bar into a hole in the Headstock Lockpin. Loosen the Lockpin half a turn.

1. Slide the Headstock Release Handle towards Inboard end of lathe, and rotate the headstock to a detent position. Do not push down on the handle.



Warning!
Use the detent latch positions to prevent headstock movement during turning.

4. Firmly tighten the Headstock Lockpin with the operating bar; but do not use excessive force. Remove the operating bar.



	Right-Hand Turners	Left-Hand Turners
Detent Positions	0, 22.5, 45, 90 degrees	180, 337.5 degrees

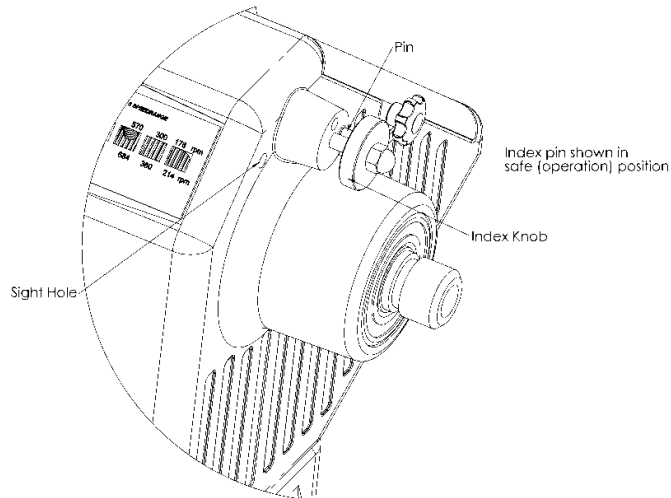
Spindle Index

The spindle index pin locks the headstock spindle. It is selectable in 15 degree increments (24 divisions). There is sight hole to read index numbers (0 through 23).

1. Stop the lathe.
2. Pull the index knob and turn it left until the pin drops into the hole. To lock the spindle it must engage into a hole in the headstock pulley.



Warning!
Make sure the index pin is out before operating the lathe. The pin should drop into the indentation in the headstock to prevent it from engaging while the spindle is turning.



<i>Divisions</i>	<i>Index Number</i>	<i>Degrees</i>
2	0,12	180
3	0,8,16 (every 8th)	120
4	0,6,12,18 (every 6th)	90
6	0,4,8,12,16,20 (every 4th)	60
8	0,3,6,9,12,15,18,21 (every 3rd)	45
12	0,2,4,6,8...22 (every 2nd)	30
24	every hole	15

Headstock

The headstock houses the motor pulley, headstock pulley, bearings, and the spindle. The headstock spindle accepts centers and accessories with no. 2 Morse taper (#2 MT), plus threaded faceplates and chucks.

Spindle Thread Size

Country	Threads
United States, Canada, UK	1-1/4 x 8 TPI RH
Europe	M33 x 3.5 RH

Mounting a faceplate or chuck

1. Use the spindle Index Pin to lock the headstock spindle.
2. Screw the faceplate or chuck onto the spindle threads. A spindle washer in-between may be used to make removal easier.

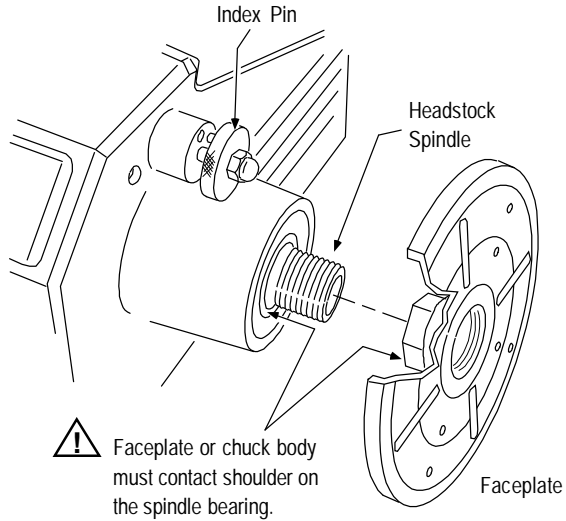


Warning!

The faceplate or chuck body must contact the shoulder on the spindle bearing.

When installing or removing the faceplate or Chuck from the spindle, the side-locking grub screw MUST be completely removed.

This avoids any potential damage to the spindle that the grub screw may cause if it were not completely removed, when winding the Faceplate or Chuck on or off the spindle.



3. Pull and turn the Index Pin and place it in the "safe" indentation in the headstock.

Using a spur center

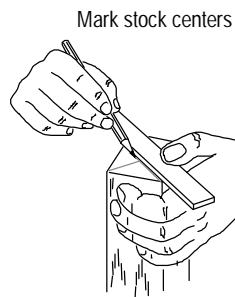
Mount the spur center to the work piece as shown and then insert the spur center and work piece into the headstock spindle.



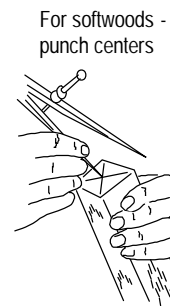
Warning!

Do not pound work piece into headstock drive center when turning between centers or you may damage the headstock.

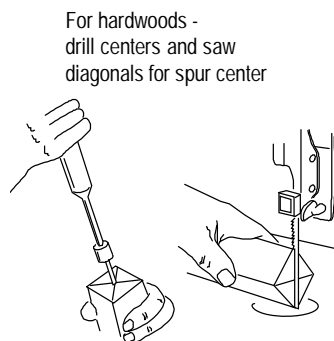
To remove the center, insert a 10 mm (3/8-inch) diameter wooden dowel or steel rod through the headstock spindle hole. While holding the center so it doesn't fall, tap it out.



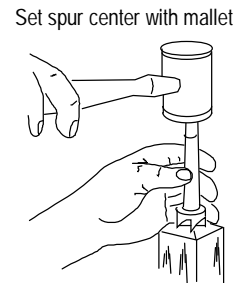
Mark stock centers



For softwoods - punch centers



For hardwoods - drill centers and saw diagonals for spur center



Set spur center with mallet

Toolrest

To move the toolslide along the bed, loosen the Toolslide Clamp Handle, move the slide to the desired position, and tighten the clamp handle.

To adjust the toolrest, loosen the Toolrest Clamp Handle, position the toolrest, and tighten the clamp handle.

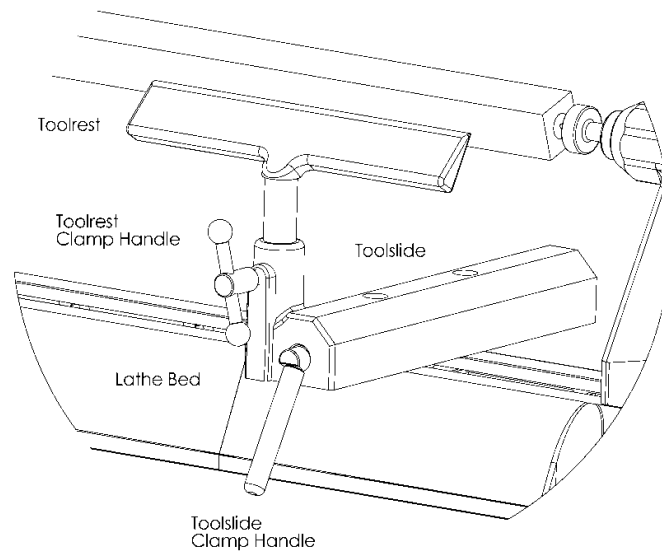
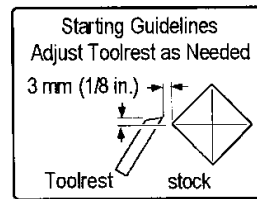
Adjust the toolrest close to the work piece. Exact positioning may be varied to suit the turner. Before turning, revolve the stock by hand to make sure it clears the rest. At intervals, stop the lathe and readjust the toolrest.



Warning!

Lathe tools and chisels should remain on the toolrest whenever the tool is in contact with the work piece.

Remove the toolrest when sanding or polishing so fingers do not get pinched.



Tailstock



Warning!

Never loosen the tailstock quill or tailstock while the work piece is turning.

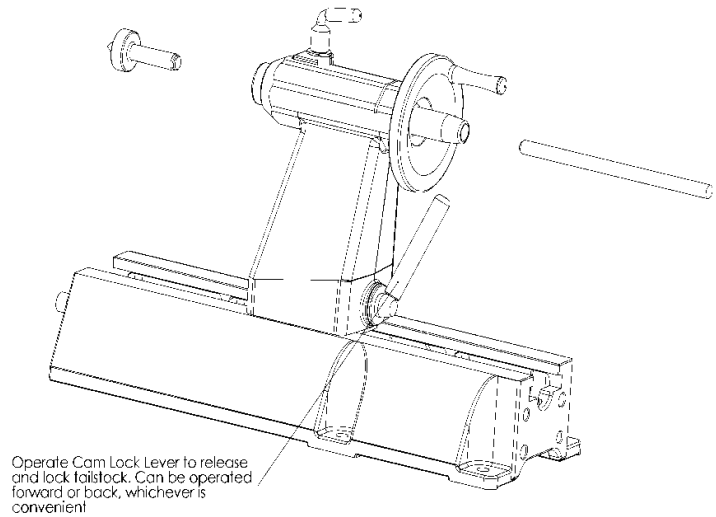
To move the tailstock along the bed, loosen the Tailstock Clamp Handle, slide the tailstock to the desired position, and tighten the clamp handle.

To move the tailstock quill in or out, loosen the Quill Lock and turn the Handwheel. Lock the quill in place with the Quill Lock.

The tailstock quill accepts centers and accessories with no. 2 Morse taper (#2 MT). To install a taper use a quick, firm action by hand. Do not pound the taper in.

To remove a taper, insert the operating bar through the tailstock quill hole. While holding the taper so it doesn't fall, tap it out.

The tailstock quill is hollow, allowing you to bore holes through turnings if a hollow center is used.



Adjusting the Tailstock for Turning Between Centers

1. Mount the spur center to the work piece and insert the spur center into the headstock spindle, as previously described under "Using a Spur Center".



Warning!

Do not use the tailstock quill action to drive the work piece into the spur center. This can create an unsafe and loose work piece.

2. Mount the live center into the tailstock quill using a quick, firm action by hand.
3. While holding the work piece, slide the tailstock to meet it and lock the tailstock in place. Turn the Handwheel to apply light holding pressure to the work piece; it should turn easily by hand, yet not be loose. Tighten the Quill Lock.

Learning Turning

The art and technique of turning is a subject beyond the scope of this instruction manual. It is recommended that you receive hands-on instruction on lathe turning and/or refer to books and videos on the subject. For reference, some woodturning books are:

Woodturning A Foundation Course
by Keith Rowley

Creative Woodturning
by Dale Nish

Turning Wood With Richard Raffan
by Richard Raffan

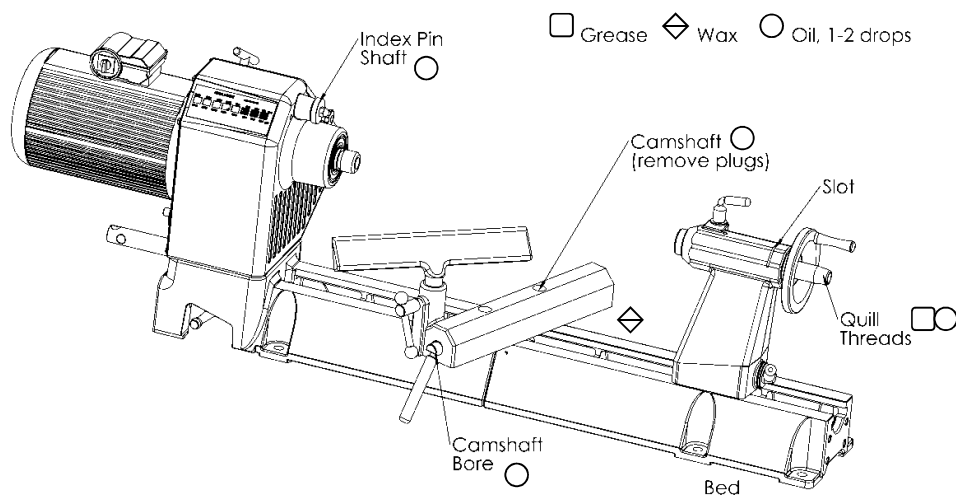
The Fundamentals of Woodturning
by Mike Darlow

Maintaining the Nova 1624 II

General Maintenance

<i>Interval</i>	<i>Maintenance</i>
After each use	Clean the work area and lathe. Vacuum scraps and dust from the inside the headstock, between the lathe bed rails, and under the toolslide and tailstock.
Monthly	Wax exposed cast iron parts with a good quality paste wax, especially the bed rails. Buff out the wax thoroughly. Check tightness of nuts and bolts; especially the set screws on the motor pulley and headstock pulley, and the lathe mounting bolts. Lubricate, with one or two drops of light-weight oil, the tailstock quill threads, index pin shaft, and the toolslide camshaft (remove plastic plugs) and toolslide front camshaft bore.
6 Months	Grease tailstock quill threads. Turn the handwheel so the quill threads are exposed, apply grease to the threads, crank the handwheel back and forth to work in the grease, wipe off any excess. Lubricate the tailstock slot with one or two drops of light-weight oil.

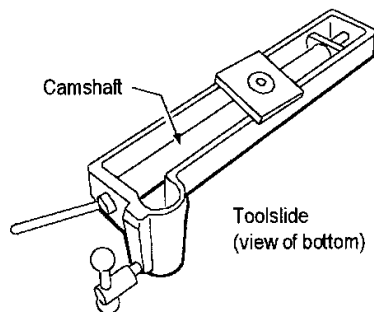
Lubrication Locations



Cleaning the Toolslide

If the toolslide becomes hard to move and adjust, cleaning and lubricating are required.

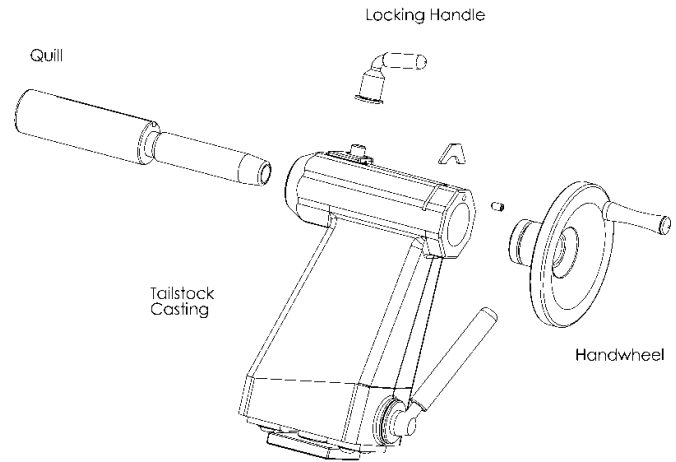
1. To make the toolslide slide more freely along the bed, make sure the bed rails are clean. Apply some paste wax to the rails.
2. If the toolslide is hard to move towards or away from you, remove the toolslide from the lathe bed. Clean the toolslide camshaft (round eccentric rod) with a petroleum-based solvent. Lubricate the rod with light-weight oil or a silicone spray.
3. Slide the base back onto the lathe bed.



Cleaning the Tailstock

If the tailstock quill becomes hard to use or the Handwheel is hard to turn, cleaning and lubricating are required.

1. Remove the 6 mm set screw from the tailstock. If necessary, turn the Handwheel to expose the set screw.
2. Using a screwdriver, remove the keeper plate from the tailstock body.
3. Remove the quill and Handwheel from the tailstock body.
4. Wipe clean all parts including the inside of the tailstock.
5. Lubricate the quill and tailstock slot with light-weight oil and apply a small amount of grease to the quill threads.
6. Reassemble.



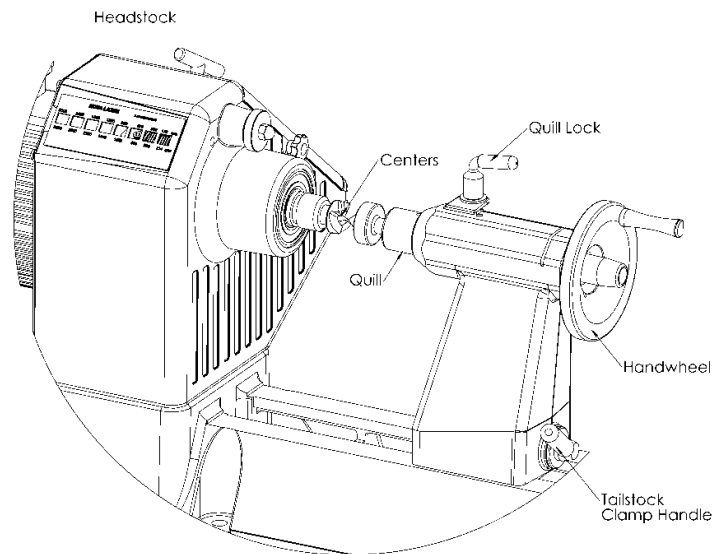
Aligning the Tailstock

1. Crank the Handwheel back so the quill is all the way in.
2. Place any #2 MT accessory you have that has a sharp point like a spur center, or live center in the tailstock quill and another center in the headstock spindle.

① Note: Tailstock alignment can be made easier by using the Teknatool AcruLine Accessory Center in place of the centers.

3. Move the tailstock close to the headstock so the two centers nearly touch; check the alignment of the center points. Move the tailstock away from the headstock and extend and lock the quill. The points of the centers should align when the quill is halfway extended, fully extended, and fully retracted.

If the centers are aligned at all three locations no adjustment is necessary.



4. The tailstock does not meet the conditions in step 3, follow the steps below. This indicates that the tailstock is not parallel to the lathe bed and you will need to realign the tailstock.

5. First make sure the tailstock alignment plates are not binding inside the bed. If the tailstock doesn't move freely then remove the tailstock and look for burrs or high spots on the bed rails or the alignment plate. Using a smooth file remove any burrs or high spots. When done replace the tailstock on the bed.

6. Slightly loosen the four tailstock cap screws with a 5mm Allen wrench. Tap the tailstock with a wooden mallet in the appropriate direction to align the centers. Check and adjust the positioning of the tailstock. The centers should align when the quill is halfway extended, fully extended, and fully retracted, as previously described in step 3.

7. Lock the tailstock in place with the Tailstock Clamp Handle and fully tighten the four cap screws. The cap screws must be fully tightened in order to avoid slippage during work.

8. Check the alignment of the Tailstock by bringing it together with the Headstock with the Live center and Spur center in each spindle. The Points on the centers should be within 0.50mm (0.020") height and width of each other

Troubleshooting Guide

<i>Problem</i>	<i>Possible Cause and Solution</i>
<i>Excessive vibration.</i>	<p>Out of balance, or large work piece. Reduce lathe speed to the lowest speed possible and turn the work piece to a true circle.</p> <p>Work piece is not held in the center. Check work piece mounting and correct.</p> <p>Work piece is not secure or held tight enough. Check work piece mounting and correct.</p> <p>Lathe incorrectly bolted to stand or bench. Refer to this manual for lathe stand recommendations.</p> <p>Stand or bench not well constructed, too light, or standing incorrectly on the floor. Make sure the stand is solidly constructed. Use sand bags to weigh down the stand.</p> <p>Over tensioning of belt is a primary cause of vibration. The drive belt is running badly, over tensioned, or damaged. Apply a spray-on belt dressing on the belt grooves, readjust belt tension, or replace the belt.</p> <p>Motor pulley is not in correct alignment with the headstock pulley. Loosen the motor pulley set screw and align the pulleys.</p> <p>Headstock is loose. Tighten the Headstock Lock pin.</p> <p>Headstock pulley or motor pulley is loose. Check that the pulley set screws are tight.</p> <p>The headstock guard is loose or rattling. Check that the guard screws are tight.</p> <p>Movement in motor mount plate. Check that the nyloc nuts on the headstock studs are tight, and that the Teebar is tight.</p> <p>Motor vibrates. Many single phase motors due to their design produce minor noise or vibrations; these usually cannot be altered.</p>
<i>Faceplate or chuck running out of true.</i>	<p>Dirt build up on the rear of the faceplates or chuck. Clean off all build up and dirt. Faceplates and chucks must mount securely against the inner bearing ring surface of the spindle.</p>
<i>Turning tools not sliding smoothly across Toolrest.</i>	<p>Damaged surface on toolrest face caused by sharp edged tools. File the toolrest using a fine smooth file and polish with extra fine sandpaper. Also remove the sharp edges from the corners of turning tools.</p>
<i>Spur drive center or live center not holding into the spindle taper or quill taper when turning.</i>	<p>Small end of Morse taper is damaged due to dropping or hitting. File or polish away any damage. Check that inside of tapers have not been scored.</p> <p>Grease or oil inside of Morse tapers. Wipe clean the inside of the tapers.</p> <p>Insufficient pressure when installing the center. Use a quick, firm action by hand to install a taper. Do not knock in using any solid object.</p>

❗ *Note: Can't find the answer in this Troubleshooting guide?*

Visit the Lathe Support Section on our website - this is packed with Frequently Asked Questions.

Or

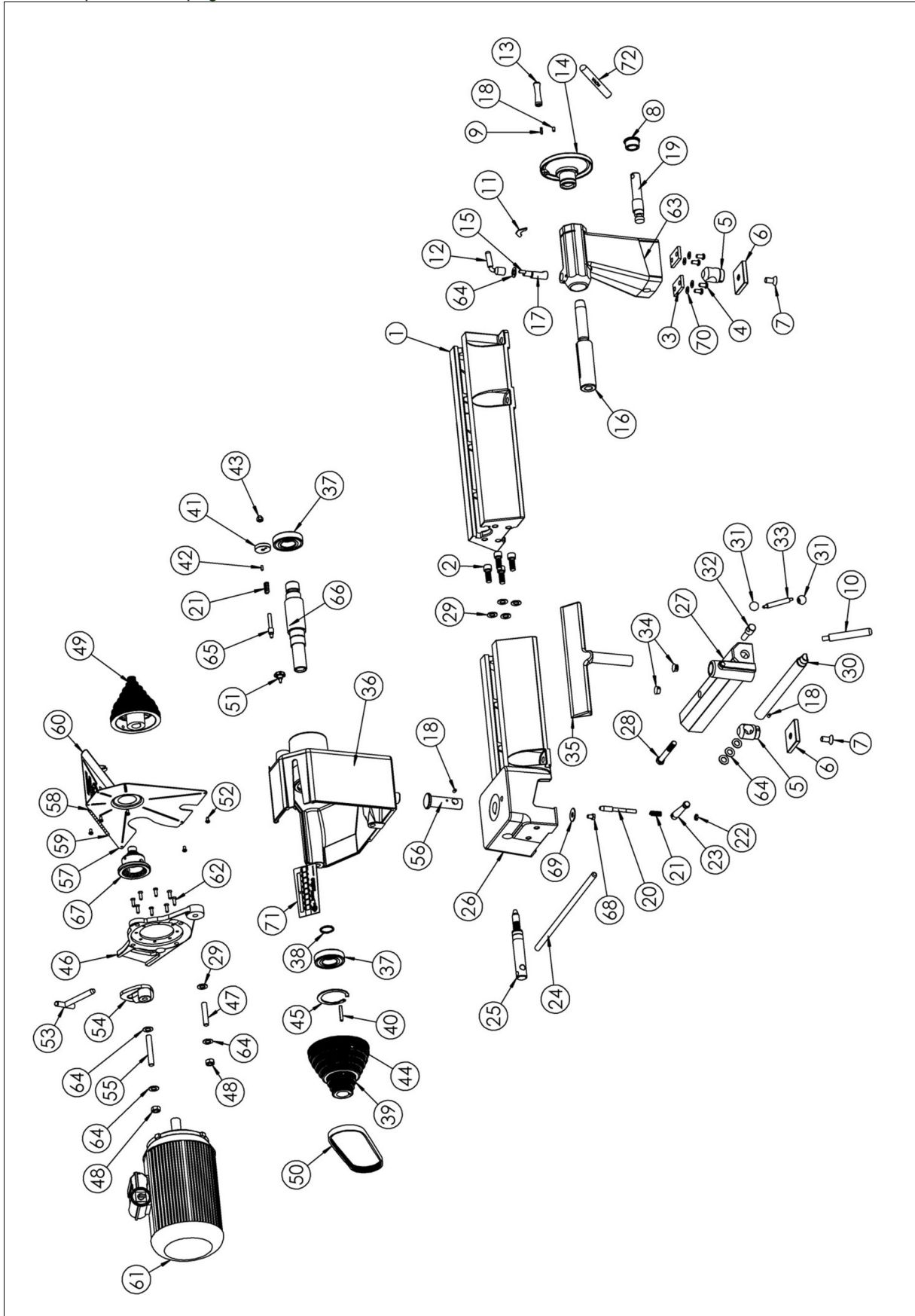
Contact us (details are at the front of this manual)

Troubleshooting Guide

<i>Problem</i>	<i>Possible Cause and Solution</i>
<i>Tailstock and headstock center not lining up correctly.</i>	<p>Tailstock not aligned to headstock; adjust as described under "Aligning the Tailstock".</p> <p>Bed incorrectly bolted to stand causing twist. Ensure stand and lathe are correctly installed.</p> <p>Headstock not returned to detent position after it has been rotated. Ensure that the headstock is locked into a detent position.</p> <p>Headstock Lockpin not fully seated. Twist the headstock back and forth to make sure it is properly seated and then tighten the Lockpin.</p> <p>Dirt or wood dust accumulated in the headstock swivel pin hole. Remove the Headstock Lockpin and clean out hole.</p>
<i>Clicking noise in headstock when lathe is operating.</i>	<p>Headstock pulley or motor pulley loose. Securely tighten the pulley set screws.</p>
<i>Tailstock handwheel hard to turn or will not turn.</i>	<p>Quill lock is locked; unlock the quill lock. If necessary, lightly tap a block of wood against the handwheel handle; tap the handle in a clockwise direction as viewed from the tailstock end.</p> <p>Build up of dust and wood resin on the quill or inside of the handwheel thread. Remove, clean, and lubricate the quill and tailstock as described under "Cleaning the Tailstock".</p> <p>The quill has been extended too far and is locked against the handwheel. Push the quill back into the tailstock when turning the handwheel.</p>
<i>Tailstock quill hard to move.</i>	<p>Quill lock is locked; unlock the quill lock.</p> <p>The quill is damaged; turn the handle to expose the quill and check for marks along the quill, especially on the edges of the slotted keyway. Remove the high spots with a smooth file and test the quill travel. Replace the quill if necessary.</p>
<i>Tailstock not locking correctly onto bed, or tailstock not sliding smoothly on bed ways.</i>	<p>Tailstock adjustment plate not adjusted correctly; adjust as described under "Aligning the Tailstock".</p> <p>Dirty bed ways and underside of tailstock body. Clean bed ways and underside of tailstock body with a petroleum-based solvent.</p>
<i>Tailstock binds.</i>	<p>The inside of the bed has a high spot. File the area with a smooth flat file until the tailstock moves freely.</p> <p>The tailstock adjustment plate has a rough spot or a burr. Remove the tailstock and file the plate with a smooth flat file.</p>
<i>Tailstock jumps where bed sections join.</i>	<p>The machined flat surfaces are not flush. File the area with a smooth flat file until the tailstock moves freely.</p>

Nova 1624 II Woodlathe Parts List

See the parts list on page 26.



Nova 1624 II Woodlathe Parts List

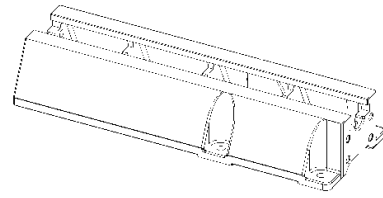
Most items are applicable to all countries; items listed with a "4" are applicable to Europe.

Item	Qty	Part No.	Description	Item	Qty	Part No.	Description
1	1	24119	Bed Extension - Machined	38 (4)	1	EC30	Circlip External 30mm
2	4	24011	Capscrew M12 x 30	39	1	24025	Pulley Headstock
3	2	25029	Plate Alignment	40	1	24109	Key 6mm Square M5x40 Long
4	4	BHC0816	Capscrew Button Head M8X16	41	1	24062	Knob Spindle Index
5	2	24048	Cam Nut Toolslide	42	1	TPI31658	Pin Tension 3/16X5/8
6	2	27006	Lockplate Tailstock and Toolslide	43	1	DNNO8	M8 Brass Dome Nut
7	2	K1225	Screw C/Sunk M12X25 A/H Socket	44	3	G0810	Grubscrew M8X10 Cup Point
8	1	55027	Sleeve Camshaft Tailstock DVR	45	1	EC72	Circlip External 72mm
9	1	TP131658	Bissel / Tension Pin 3/16 in. x 5/8	46	1	24122	Flange, Motor Mount combined Metric & NEMA
10	1	55153	Lock Arms	47	1	24050	Stud M12 x 60 Motor Mount
11	1	24040	Keeper Plate - Hardened Steel	48	2	NN12	Nut Hex Nyloc M12 ZP
12	1	55029	Lever (Bent) Locking Quill	49	1	24130	Pulley Motor
13	1	24065	Handle Handwheel	50	1	584J6	Belt Poly Vee
14	1	24043	Handwheel, Tailstock	51	1	24055	M5 x 10 Knob (guard cover)
15	1	55037	Pin Dowell 6X16	52	6	MP05010	Screw Pan Head Pozi M5 x 10 ZP
16	1	55028	Quill Tailstock	53	1	24049	Tee- Bar Motor Mount
17	1	55026	Shaft Lock Quil	54	1	24046	Cam Motor
18	3	G0610	Grubscrew M6X10 Cup Point	55	1	24051	Stud M12 x 75 Motor Mount
19	1	55025	Camshaft Tailstock DVR	56	2	24127	Swivel Pin
20	1	24023	Detent Pin D12	57	1	24128A	Sheetmetal Main Cover
21	2	24060	Compression Spring	58	1	24128B	Sheetmetal Hinge Pin
22	1	NHZ8	NUT HEX M8 ZP	59	2	24128C	Sheetmetal Guard Hinge
23	1	55176	Handle Detent Pin	60	1	24128D	Sheetmetal Lid
24	1	55081	Operating Bar 1/2 400mm Long	61	1	24134	Motor 115V
25	1	55048	Pin Lock	61	1	24135	Motor 230V
26	1	24118	Main Bed	62	8	CM5010193	Screw C/SUNK M6X20, 10.5 Head Dia, Brand Tailstock
27	1	24009	Toolslide	63	1	55017	Washer Flat Fender M10X32X1.6 ZP
28	1	BNMZ12090	M12 x 90 Eng Bolt	64	7	FW10	Spindle Index Knob
29	5	FW12	Flat Washer ZP	65	1	24129	Spindle Headstock 1624 Y 1 1/4X8 TP
30	1	24020	Camshaft Toolslide	66	1	24126	Spindle Headstock 1624 4 M33X3.5RH
31	2	865913	Ball Knob 3/4 in. DIA with M6 thread	(4)	1	24137	Handwheel
32	1	24026	Teelock Body	67	1	LHB	Screw Set M8X12 ZP
33	1	25001	Teelock Arm M10 DIA x 85 with M6 threads	68	1	SZ0812	Washer Fender M8 ZP
34	2	HP-16	Plug Hole	69	1	FFW08	Washer Flat M8 x 16ZP
35	1	24120	Toolrest	70	4	FW8	Label Speed Indicator
36	1	24125	Headstock	71	1	24131	
37	2	6207LLB	6207-RSI Bearing				

Accessories

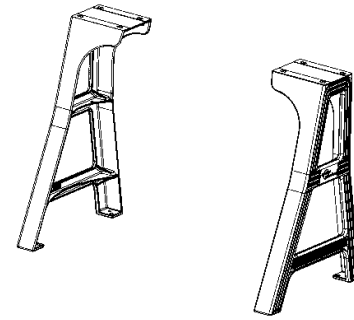
Add On Bed Extension

Extend the bed of your Nova 1624 II Woodlathe for greater capacity for turning between centers. Each bed unit adds 516 mm (20.3 in.)



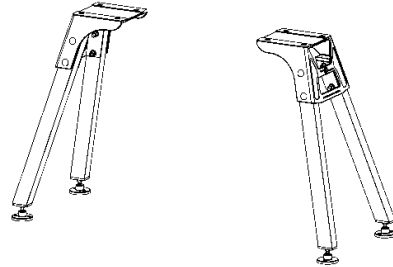
Lathe Cast Iron Stand

The stand pieces are cast from a high grade of Cast iron with extremely good section thickness and CAD generated internal gussets at all critical points to withstand extremely high stresses with practically no distortion. Cast iron has always been the material of choice for wood lathe construction because of its inherent mass and excellent modulus of vibration dampening. The cast iron stand has been purposely designed to be heavy, solid and robust keeping this in mind.



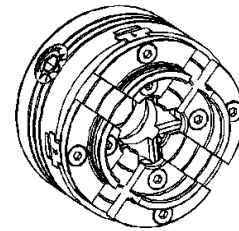
1624 Hybrid Stand

The 1624 hybrid stand is a combination of cast iron and rectangular hollow section. Compared to its original predecessor, the hybrid was designed to be light weight and style.



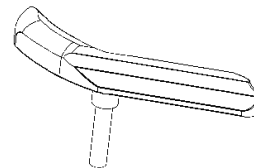
SuperNova2 Chuck

A next-generation, self-centering chuck to securely hold round and square work pieces for centerless turning. The special Tuff Lock gearing delivers amazing holding power in both the contraction and expansion mode. It has an open-back for easy cleaning and can be tightened one-handed with an articulated key. It includes a screw chuck. A wide variety of optional jaws are available to hold almost any work piece.



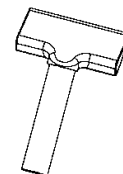
Bowl Toolrest

A curved toolrest which gives you better chisel support on both the outside and inside of a bowl. Because of the curve you are able to position your chisel support closer to the bowl.



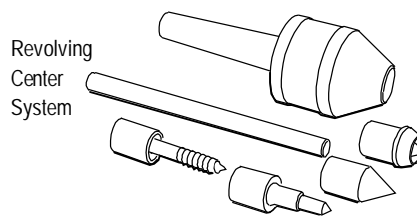
Small Toolrest

A small 100 mm (4 in.) toolrest for turning small work pieces or reaching into recessed areas.



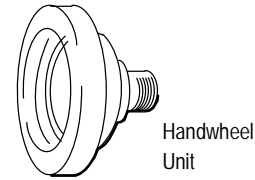
Revolving Center System

A multi-function live center system to expand your options when turning between centers. It includes quick change tapers: a hollow cup center point, threaded center, cone center, and an extension center. Made with three bearings and precision machined for a high quality finish.



Handwheel Unit

The handwheel is mounted on the outboard end of the headstock spindle so you can manually position work or to slow it down. The vacuum coupler can also be added to this unit to make a vacuum holding option.

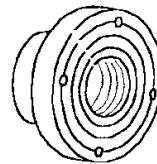


Accessories

Faceplates

The faceplates are used to mount the work piece when faceplate turning bowls or platters. The Faceplates is available in 80 mm (3 in.)

A vacuum faceplate is also available. The 80 mm (3 in.) faceplate is made of solid steel. This faceplate has a small contact area to allow maximum freedom while shaping.

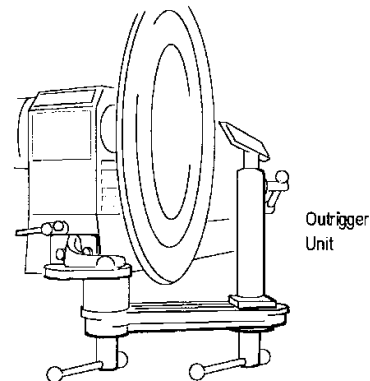


Vacuum Coupler

The Vacuum Coupler (not shown) fits onto the Handwheel Unit. It provides a secure attachment for your vacuum cleaner hose. For those turners who are interested in vacuum chucking, this is a simple system.

Outrigger Unit

Extend the bowl turning capacity of the Nova 1624 II Woodlathe to up to 740 mm (29 in.) in diameter. This unit is made from cast iron, is easy to position and control, and mounts to the headstock end of the lathe.



For further details about the NOVA lathe accessories please contact your local retailer for more information, or contact us for a free product catalogue. This catalogue can also be downloaded from our website - at www.teknatool.com.

Index

- AC Motors, 8,10
- Accessories, 29,30
- Aligning the Tailstock, 24
- Assembling, 11
- Bed, Lathe, 14,27
- Belt Tension, 18
- Bowl version, 8
- Camshaft, 23
- Centerless Turning, 20
- Centers, 11, 22
- Changing Speeds, 18
- Chuck, 29
- Cleaning, 23,24
- Components, 11, 17
- Connecting to Power, 16
- Contents, 5
- DC Motors, 8,10,17
- Distance between Centers, 8
- Electrical, 16
- Extension Bed, 14, 29
- Extension Cords, 16
- Faceplate, 11, 18, 30
- Handles, 11, 13, 17
- Handwheel, 30
- Headstock Lockpin, 11, 17, 18
- Headstock, 8, 17, 20
- Lathe Stand Requirements, 9,16
- Live Center, 22
- Lubrication, 23
- Maintenance, 23
- Motor Mounting, 12
- Motors, 8, 10
- Mounting Faceplate or Chuck, 20
- Mounting, Lathe, 8,16
- Names of Components, 17
- Nova 1624/44 Parts, 17
- Nova 1624/44 Specifications, 8
- Oil, 23
- Operating, 18-23
- Operating Bar, 17, 18, 21
- Outrigger Unit, 30
- Parts List, 28
- Parts of the Nova 1624/44, 11, 17, 27, 28
- Power, 16
- Problems, 25
- Quill, 8, 17, 24
- Removing Centers and Tapers, 22
- Revolving Center System, 30
- Rpm, 18
- Safety, 6,7
- Sanding, 20
- Shop Requirements, 9
- Specifications, 8
- Speed, 17,18
- Spindle Index, 19
- Spindle Threads, 8,19
- Spur Center, 11,20
- Stand, 9, 16, 29
- Standard Equipment, 8
- SuperNova2 Chuck,29
- Swing, 8
- Swiveling the Headstock, 19
- Tailstock parts list, 28
- Tailstock, 8, 17, 22,24
- Teebar, 13,17, 18
- Teknatool, 4
- Toolrest Options, 29
- Toolrest Parts List, 28
- Toolrest, 8, 17,21, 23
- Troubleshooting, 25
- Turning between Centers, 22
- Turning Speeds, 17
- Turning the Headstock, 19
- Turning, 22
- Unpacking, 11
- Vacuum Coupler, 30
- Vibration, 25
- Warranty, 32
- Website, 4
- Work Diameters, 8,17
- Workshop Requirements, 9

Teknatool Warranty

Teknatool Five Year Limited Warranty

This Teknatool product is backed by a FIVE YEAR warranty from the date of purchase. Teknatool International Ltd will repair or replace, at its expense and option, this Teknatool product which in normal use has proven to be defective in workmanship or material, provided that the customer returns the product prepaid to an authorized Teknatool service center with proof of purchase of the product within TWO YEARS and provides Teknatool with reasonable opportunity to verify the alleged defect by inspection. Furthermore, Teknatool International Ltd. extends this two year period for three additional years replacement parts only warranty, excluding labor and transport costs, Drive belts and other normal wear items are excluded. Provided the aforementioned conditions are met. Motors and electronic controls are not covered under this warranty; these are warranted by their respective manufacturer. Where the motor is part of the lathe package it is covered by a 1 year warranty.

Teknatool will not be responsible for any asserted defect which has resulted from normal wear, misuse, abuse, or repair or alteration made by anyone other than an authorized service facility or representative. Under no circumstances will Teknatool International Ltd. be liable for incidental, special, indirect, and consequential damages or expenses, including loss of profits or loss of operations. This warranty is Teknatool International Ltd. sole warranty. There are no other warranties, whether written or verbal, whether expressed or implied by law, trade, custom, or otherwise, whether of merchantability, fitness for purpose, or otherwise, except for remedies available to customers under the Consumer Guarantees Act or other legislation.

OVERSEAS CUSTOMERS: Our Teknatool Distributors and agents will issue their own warranty to cover this product. Terms may vary from those stated above; please check with you local agent.

In North America warranty covers Continental USA only. For Alaska and Hawaii and other areas, warranty covers replacement of parts only and excludes transport costs.

Register your warranty with NOVA online.

Visit our website on www.teknatool.com to register your warranty today!



Nova 1624 II Woodlathe Manual

Publication Code: 111-0516-008

© Teknatool International 2016